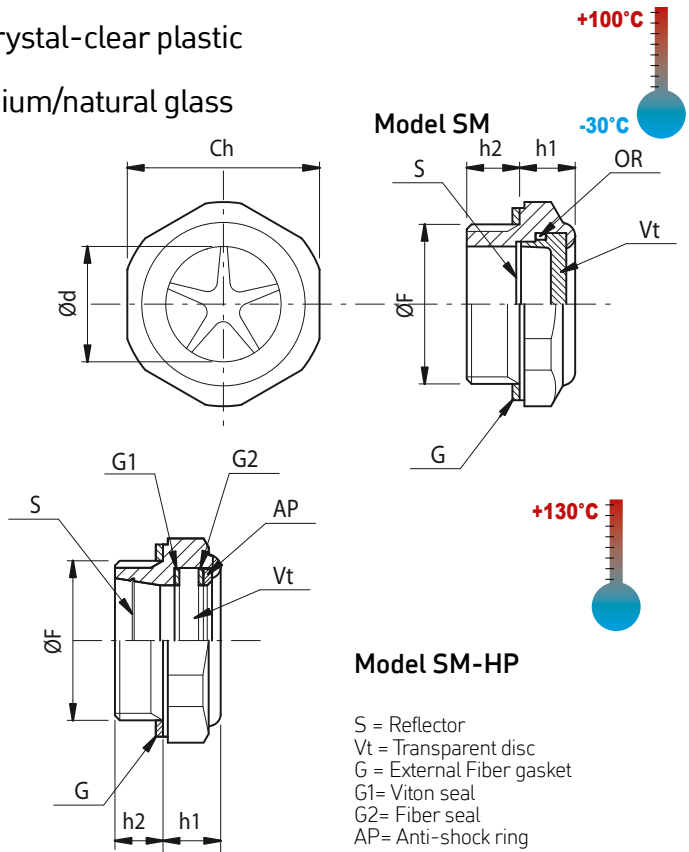


# SM - OIL LEVEL INDICATORS - Aluminium/Crystal-clear plastic

## SM/HP - OIL LEVEL INDICATORS - Aluminium/natural glass



-Threaded hex-head level indicators manufactured from Aluminium 11S.

-Model **SM** Sightglass made from transparent polyamide TROGAMID® T, which provides good mechanical resistance and is impervious to mineral oil, gasoline, lubricants, petroleum, solvents and most chemical agents.(see technical table N.1 page 58).

-Avoid contact with alcohol based solutions, antifreeze liquids at high temperatures and hot water over 80 °C.

-Max operating pressure **10 Bar**.

-New model - **CX** made from special resin resistant to fluid containing alcohol available on request in minimum quantities.

-Fiber gasket (optional available on request alu washer).

-Model **SM-HP** with sightglass made from natural glass, internal seal in VITON suitable for application until **130°C** and **20 Bar** internal pressure.

(NOTE: The model SM-1 HP and SM-33,15/HP are not recommended for use in vacuum application)

Code	F	D	Ch	d	h1	h2	weight gr	Min. pack.
SM/14	G. 1/4"	19	17	11	9	8	5	100
SM/38	G.3/8"	24,5	22	13	10	9	9,5	100
SM/12	G.1/2"	29,5	27	17	10	9	13	100
SM/34	G.3/4"	34,5	32	21	10	11	21	50
SM/1	G.1"	42,5	40	26	11	11	32	50
SM/114	G. 1 1/4"	55	50	34	13,5	12	54	1
SM/112	G. 1 1/2"	63	55	34	12	13	80	1
SM/14,15	M14x1,5	19	17	12	9	8	5	100
SM/16,15	M16x1,5	24	22	12,5	9	9	9	100
SM/18,15	M18x1,5	24	22	12	10	9	9	100
SM/20,15	M20x1,5	26	24	16	10	10	12	100
SM/22,15	M22x1,5	30	27	18	10	9	13	100
SM/24,15	M24x1,5	33	30	17	13	11	22,5	50
SM-12/HP	G.1/2"	30	27	14	10	9	16	1
SM-34/HP	G.3/4"	35	32	17,5	12,5	10	29	1
SM-1/HP	G.1"	42,5	40	23	13	10	50	1
SM-20,15/HP	M20x1,5	30	27	14	10	9	16	1
SM-33,15/HP	M33x1,5	42,5	40	23	13	10	50	1