

XL - VERTICAL LEVEL GAUGES WITH METAL CASING

XLT - VERTICAL LEVEL GAUGES WITH METAL CASING WITH THERMOMETER

XLT/PLAST - VERTICAL LEVEL GAUGES WITH PLASTIC CASING



External protection made from painted steel



External protection made from DA66 fiberglass

Thermoplastic level gauges made from transparent polyamide which provides good mechanical resistance and is impervious to mineral oil, gasoline, lubricants, petroleum, solvents and most chemical agents.

External protection is provided by a pressed steel casing with black painted finish. Also available in **version VL** with side openings to allow visibility from both sides.

Avoid contact with alcohol based solutions and antifreeze liquids at high temperatures and hot water over 80°C

Max working temperature 90°C, max pressure suggested 2 bar

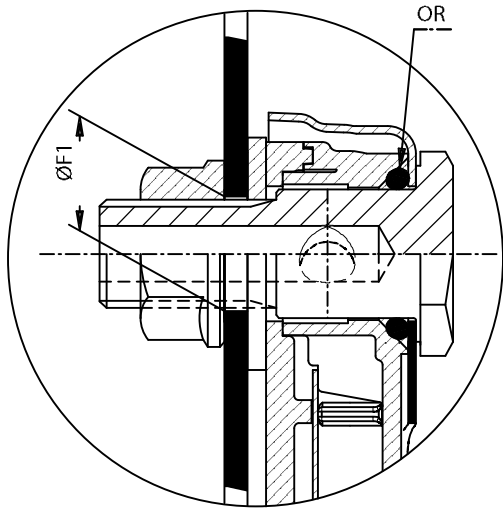
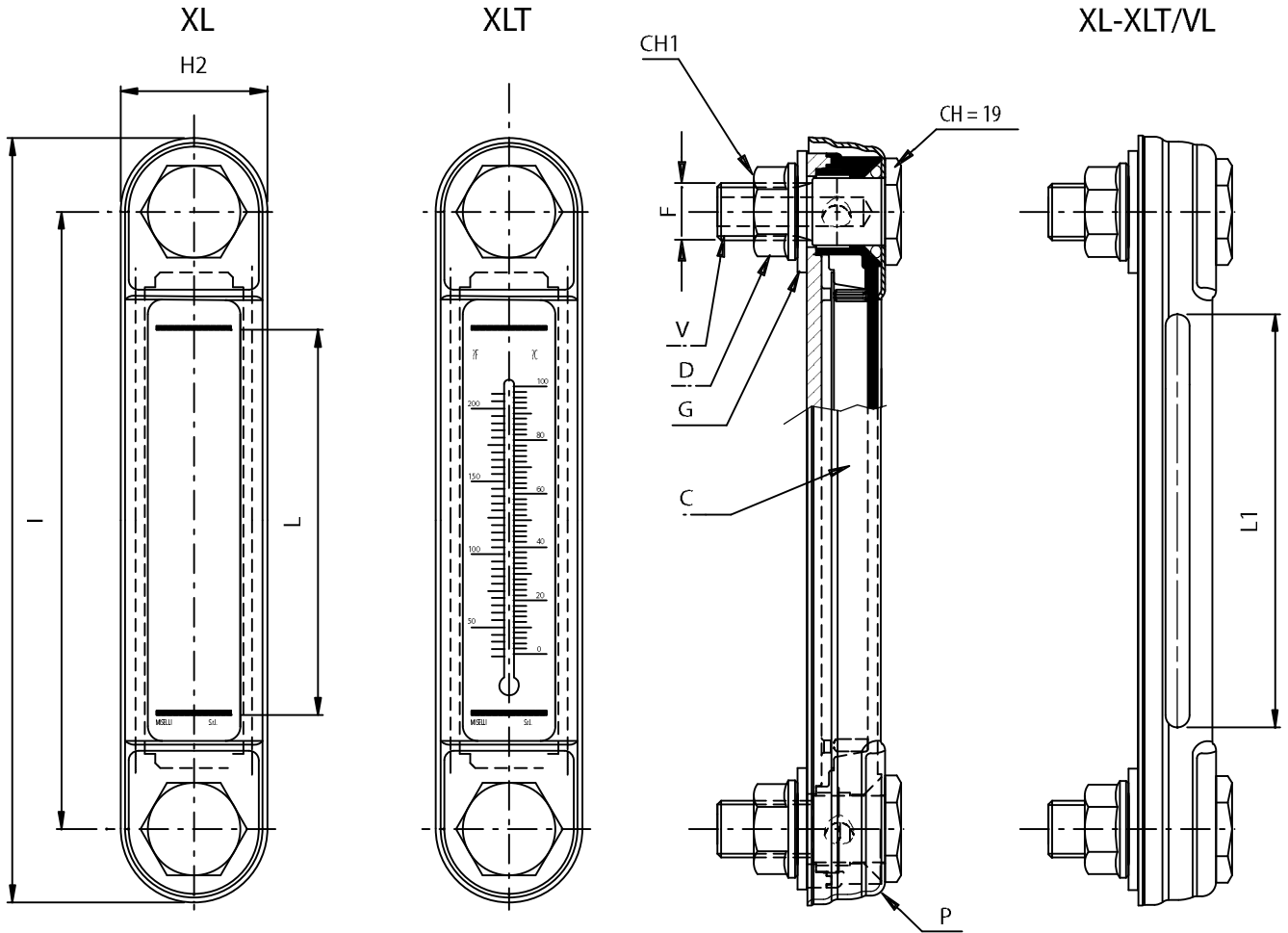
These level gauges are used in oil and fuel tanks of many types, due to their ability to remain clear in the majority of the conditions; the transparent body of the level gauge retains its transparency under most climatic conditions.

The body of the level gauge is made by ultrasonically welding two halves together to ensure a leak free seal

around the body. Inside is fitted a white screen with minimum and maximum level indication. External seal is guaranteed by o-rings and flat rubber washers on each fixing bolt.

The mounting of the level gauge can be made externally by providing 2 threaded holes M10 or M12 on 76 mm or 127 mm centre distance, tolerance +/- 0.3mm. Alternatively they can be secured internally through 2 plain holes 10.2 mm or 12.2 mm, tolerance 0 + 0.2 mm using the flanged nuts provided. Maximum tightening torque suggested 5 Nm.

Model XLT is equipped with an internal thermometer scaled in degrees Celsius 0-100°C and Fahrenheit 50-200°F.



P= Metal shell
 V= Hollow bolt
 D= Flanged hex nut
 G= Flat NBR seal
 C= Transparent body

Special versions

- XL-T/CX made from special resin resistant to fluid containing alcohol
- XL-T/RB "with floating" red ball to improve visibility of the fluid level of light colored liquid
- XL-T/PLAST: external casing made from polyamide 66 30% fiberglass.

XL/03/M10	76	107	31	M10	17,5	24,5	39	15	10,2	34	135
	76	107	31	M12	17,5	24,5	39	18	12,2	34	135
XL/03T/M10	76	107	31	M10	17,5	24,5	39	15	10,2	34	135
	76	107	31	M12	17,5	24,5	39	18	12,2	34	135
XL/05/M10	127	156	31	M10	17,5	24,5	80	15	10,2	85	187
	127	156	31	M12	17,5	24,5	80	18	12,2	85	187
XL/05T/M10	127	156	31	M10	17,5	24,5	80	15	10,2	85	187
	127	156	31	M12	17,5	24,5	80	18	12,2	85	187